

# Tania Accent Chair

Part # CHR-TANIA XX+XX

20-0430

**PARTS**



A



B



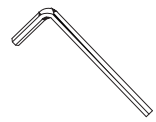
x12  
(M6x16mm)  
C



x6  
D

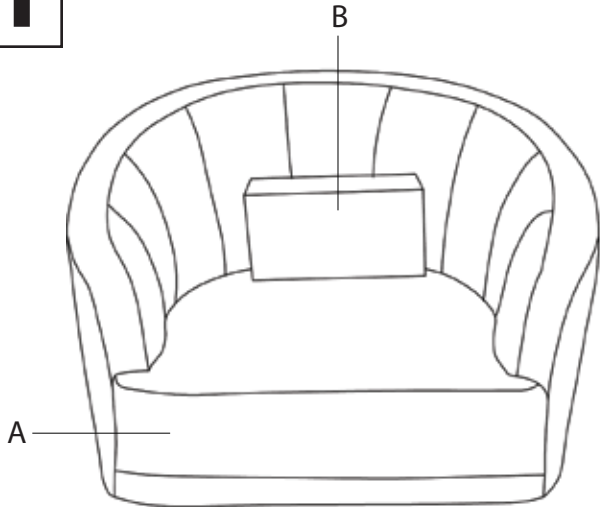


x6  
E

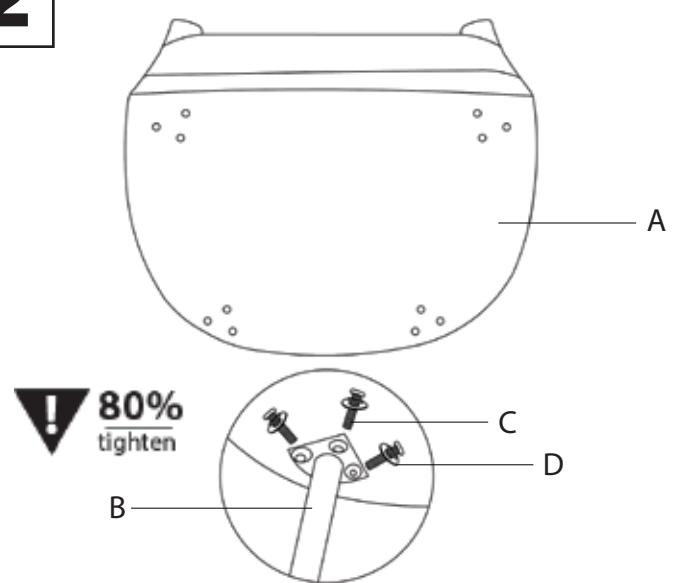


F

**1**



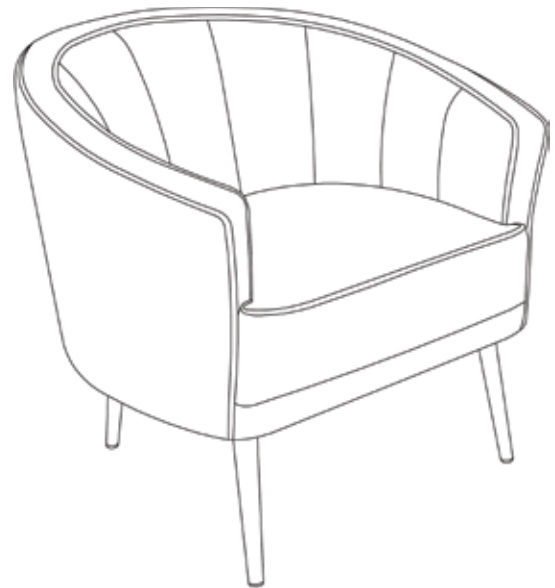
**2**



**3**



**4**



**100%**  
tighten



Do not over tighten.  
Do not use power tools to assemble.